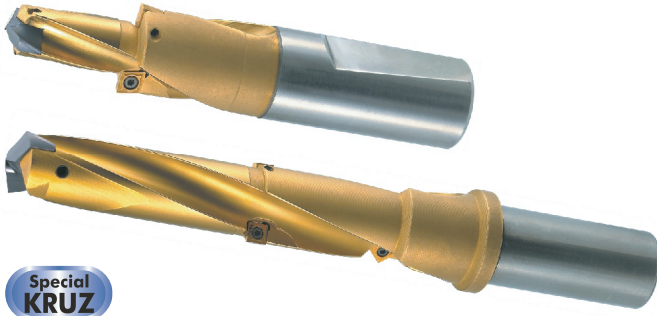


KRUZ special step drill body

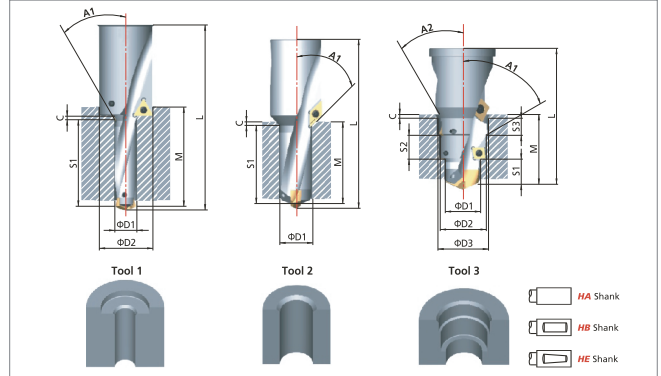
Combination drill bodies (Perform multiple operations with one tool)



Special
KRUZ

- ▶ Helically fluted drill body with through spindle coolant for easy chip evacuation.
- ▶ Special bodies use standard YESTOOL drill inserts(ID, IDP, IDF). Uses ISO standard facing & chamfering inserts.
- ▶ All inserts lock from the side-no removing body to replace inserts.
- ▶ Reduced cycle times result in higher productivity at reduced costs.

For Price Quote Specify Style of Tool and Fill Out Per Below



Note

More helpful information to design if provided

Kind of Material to be machined :

Shank style(HA, HB, HE or special) :

Type of chamfer or facing insert(if any) :

Coolant through or no coolant :

Work-piece drawing if avail. :